

# Kidde Fire Systems Natura™ Inert Gas System Component Description

## 360° and 180° Degree Nozzle

### FEATURES

- For Approvals, see the “COMPATIBILITY” table.
- REACH and RoHS compliant

### ORDERING INFORMATION FOR NOZZLES

Part Number	Description
<b>360° NPT Nozzles</b>	
38-407100-XXX	Nozzle Assembly, 1/2 in. NPT, 360°
38-407200-XXX	Nozzle Assembly, 3/4 in. NPT, 360°
38-407300-XXX	Nozzle Assembly, 1 in. NPT, 360°
38-407400-XXX	Nozzle Assembly, 1-1/2 in. NPT, 360°
<b>180° NPT Nozzles</b>	
38-407500-XXX	Nozzle Assembly, 1/2 in. NPT, 180°
38-407600-XXX	Nozzle Assembly, 3/4 in. NPT, 180°
38-407700-XXX	Nozzle Assembly, 1 in. NPT, 180°
38-407800-XXX	Nozzle Assembly, 1-1/2 in. NPT, 180°

**Note:** A selection of orifices are available for each nozzle size. Consult your Kidde Fire Systems Natura™ Inert Gas System Design, Installation and Operation Manual for details.



Figure 1. 360° Nozzles



Figure 2. 180° Nozzles

### COMPATIBILITY

Series	DIOM P/N	Approvals*
Natura™ Inert Gas System	06-237619-001	FM, UL
Natura™ Inert Gas System	06-237598-001	LPCB

\* For additional listings, contact Kidde Fire Systems

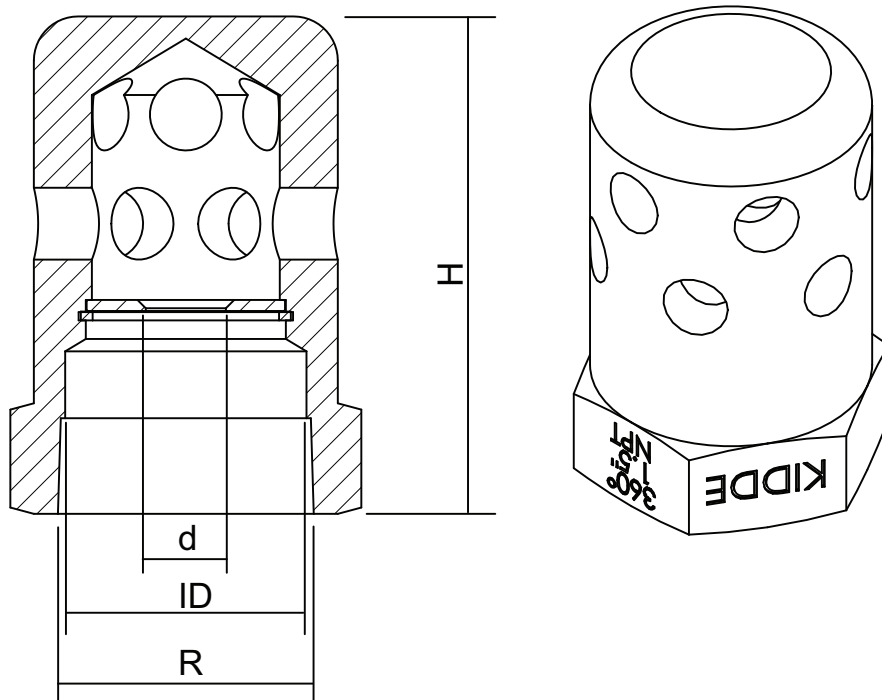


Figure 3.

Nozzle Size	1/2 in.	3/4 in.	1 in.	1 1/2 in.
Thread Size, R	1/2 in.	3/4 in.	1 in.	1-1/2 in.
Height, H	1.7 in.	2.2 in.	2.8 in.	3.7 in.
A/F Hex	0.9 in.	1.1 in.	1.4 in.	2.0 in.
Inside Dia, ID	0.6 in.	0.8 in.	1.0 in.	1.4 in.
Weight	~0.18 lbs (80g)	~0.26 lbs (120g)	~0.57 lbs (260g)	~1.47 lbs (670g)
Material	Brass CuZn39Pb3			

**Note:**

- In accordance with PED/PE(S)R, only the 1 1/2 in. Nozzle(s) have the CE & UKCA marks
- Maximum Coverage of Any Single Nozzle: 1250 sq. ft. at the minimum nozzle height of 1 ft.
- Installation Height Single Level: MAX 16.0 ft. (4.88m)
- Max. Nozzle Working Pressure: 60 bar.\*
- Always verify nozzle and orifice size through flow calculating program.
- Never let the working pressure exceed the rating of the pipe work used.
- Temp Range(s):  
 FM Approved / UL Listed: -4° to 130°F (-20° to 54°C)\*  
 \*Unless superseded by local/national standards

**EXPORT INFORMATION (USA)**

Jurisdiction: EAR  
 Classification: EAR99

This document contains technical data subject to the EAR.

All trademarks are property of their respective owners

This literature is provided for informational purposes only. KIDDE-FENWAL, INC. believes this data to be accurate, but it is published and presented without any guarantee or warranty whatsoever. KIDDE-FENWAL, INC. assumes no responsibility for the product's suitability for a particular application. Product features specified are only applicable when the fire suppression system is correctly designed, installed, maintained and serviced by trained, authorized Kidde Fire Systems distributors as per the applicable design, installation, operation, and maintenance manuals. If you need more information on this product, or if you have a particular problem or question, contact: KIDDE-FENWAL, INC., Ashland, MA 01721 USA, Telephone: (508) 881-2000.